

NUMBER: D #623001

REVISION: RO2

DOCUMENT TYPE: CHANGE REQUEST

DATE: 04/10/2016

DESCRIPTION:

THIS DOCUMENT IS A DESIGN CHANGE REQUEST FOR "BRACKET_SHOCK" PART # 69854782. PART DOES NOT FIT WITH "CONNECTOR" DUE TO TOLERANCE ISSUE. SEE 3D MODEL UNDER DOCUMENTS ATTACHED.

URGENCY: HIGH

CHANGE TYPE: DESIGN CHANGE

DUE DATE: 04/14/2016

CHANGE REQUEST BY:

NAME: ROGER SMITH

EMAIL: R.SMITH@ABCMANUFACTURING.COM

COMPANY: ABC MANUFACTURING

PHONE: 925-987-6543

PROJECT MANAGER:

NAME: DAN BROWN

EMAIL: DBROWN@XYZINDUSTRIES.COM

COMPANY: XYZ INDUSTRIES


PHONE: 415-345-6789

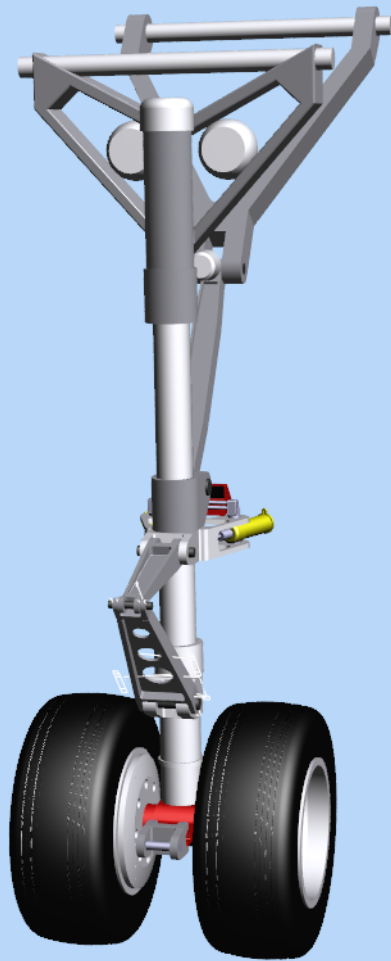
COMMENT:

SIGNATURE:

STATUS: IN PROGRESS

DOCUMENTS ATTACHED

	TYPE	VERSION NUMBER	FILE NAME	DATE
	INTERACTIVE 3D PDF	3	RH, LANDING GEAR, MAIN STRUT	04/10/2016



CREATED BY		CREATE DATE	
APPROVED BY		APPROVAL DATE	

BILL OF MATERIALS

--	--	--	--

NOTES

--	--	--	--

- STEP 1
- STEP 2
- SHOW ALL

DESCRIPTION

GROUP NO.	PART NUMBER	REVISION

