

NUMBER: 874631

REVISION: B

DOCUMENT TYPE: RELEASE TO MANUFACTURING

DATE: 09/05/2016

DESCRIPTION:

THIS DOCUMENT IS A RELEASE TO MANUFACTURING TECHNICAL DATA PACKAGE. MODEL HAS BEEN IN CREATED IN ACCORDANCE WITH ASME Y14.5 2009

URGENCY: HIGH

TYPE: MANUFACTURING RELEASE

DUE DATE: 09/14/2016

PROJECT AUTHOR:

NAME: STEVE JOHNSON

EMAIL: S.JOHNSON@ABCMANUFACTURING.COM

COMPANY: ABC MANUFACTURING

PHONE: 925-987-6543

PROJECT LEAD ENGINEER:

NAME: BOB SHAW

EMAIL: BSHAW@XYZINDUSTRIES.COM

COMPANY: XYZ INDUSTRIES



PHONE: 415-345-6789

COMMENT:

SIGNATURE:

STATUS: IN PROGRESS

DOCUMENTS ATTACHED

	TYPE	VERSION NUMBER	FILE NAME	DATE
	INTERACTIVE 3D PDF	B	874631 REVB, PUMP ASSY	09/05/2016
	2D DRAWINGS		874631 REVB, PUMP ASSY	09/05/2016

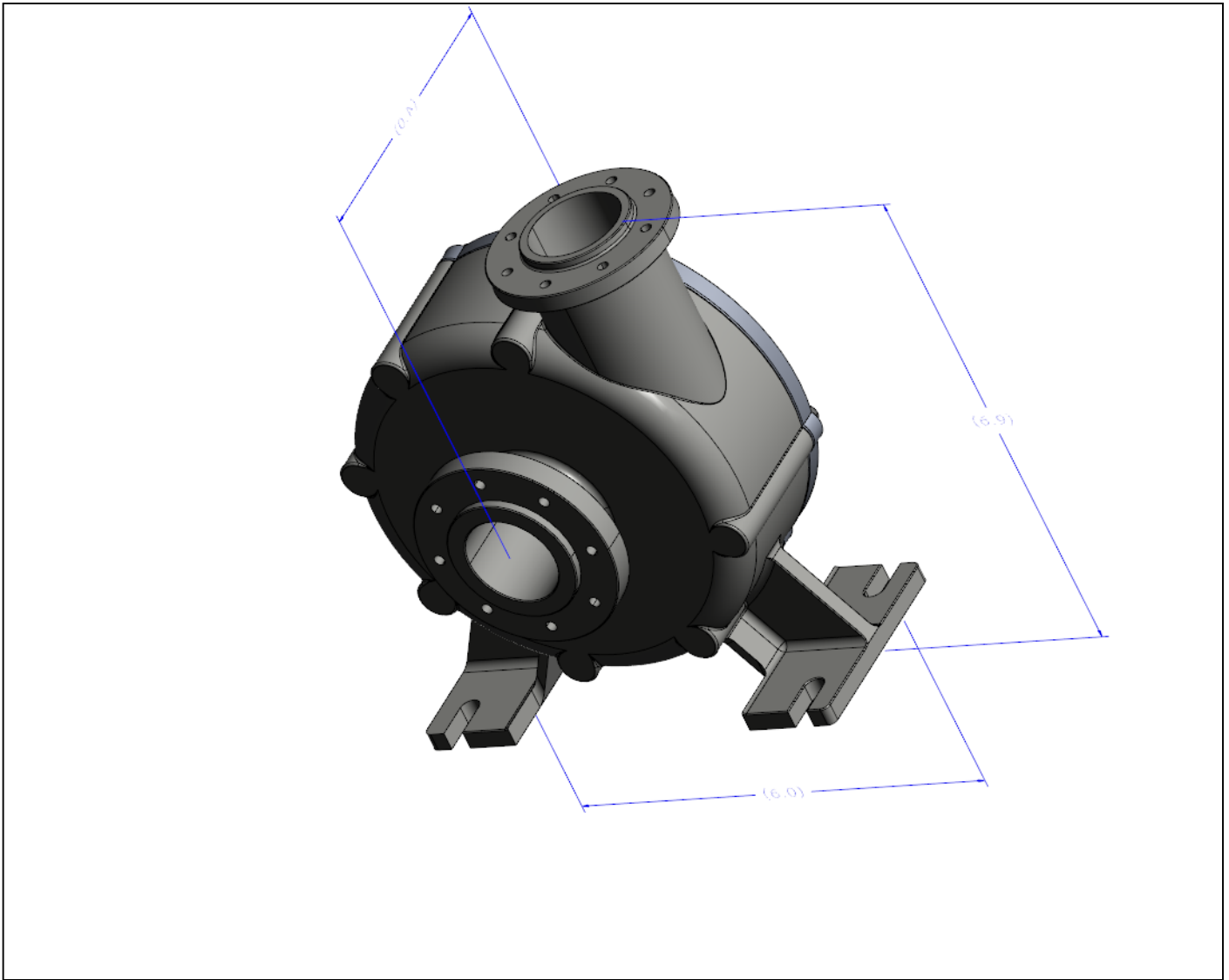
PARTS LIST	
▲	
▼	

SEARCH

Isolate Show All

MASS	
MASS UNITS	
MATERIAL	

MATURITY CODE
ANNOTATION & ATTRIBUTE CODE
GEOMETRY CODE



REV	DESCRIPTION

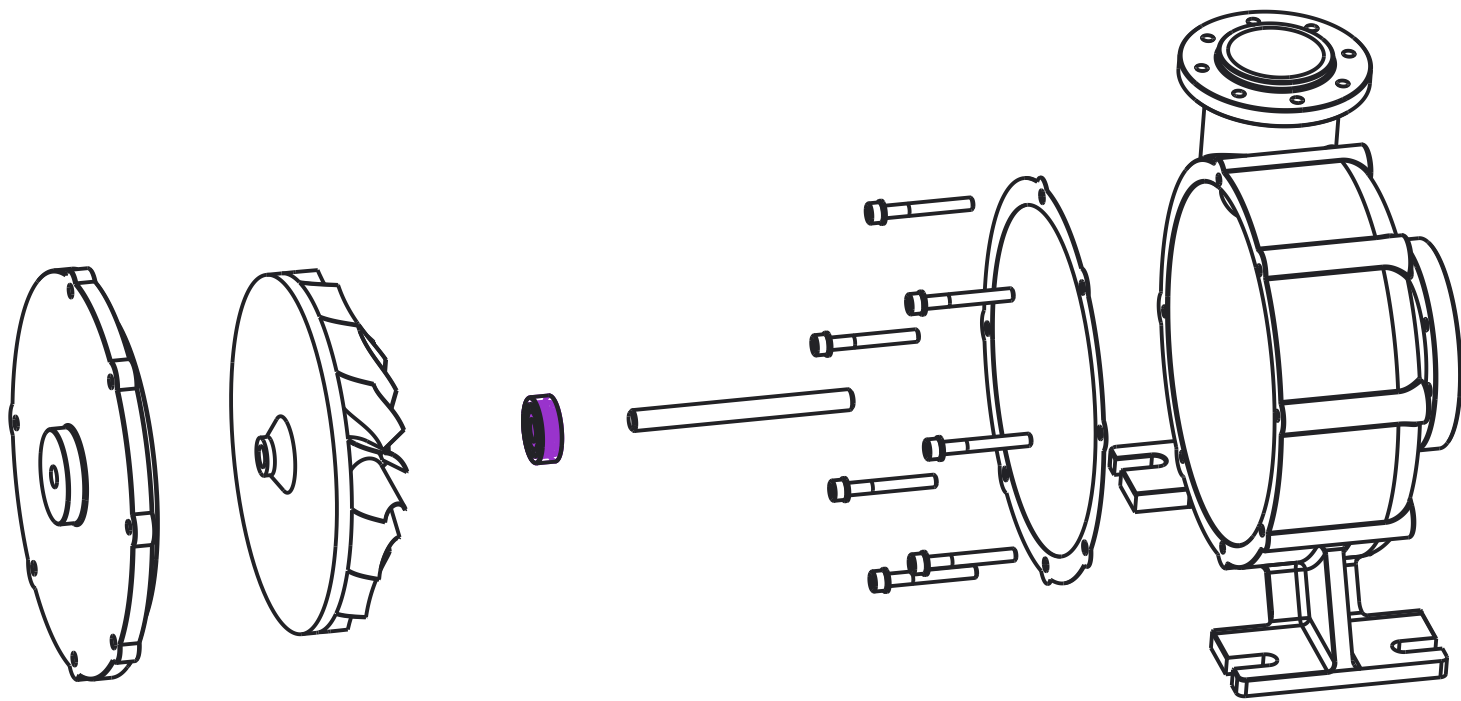
NOTES/WORK INSTRUCTIONS

CAGE CODE TECH SOFT 3D
1567 SW CHANDLER AVE.
BEND, OR 97702

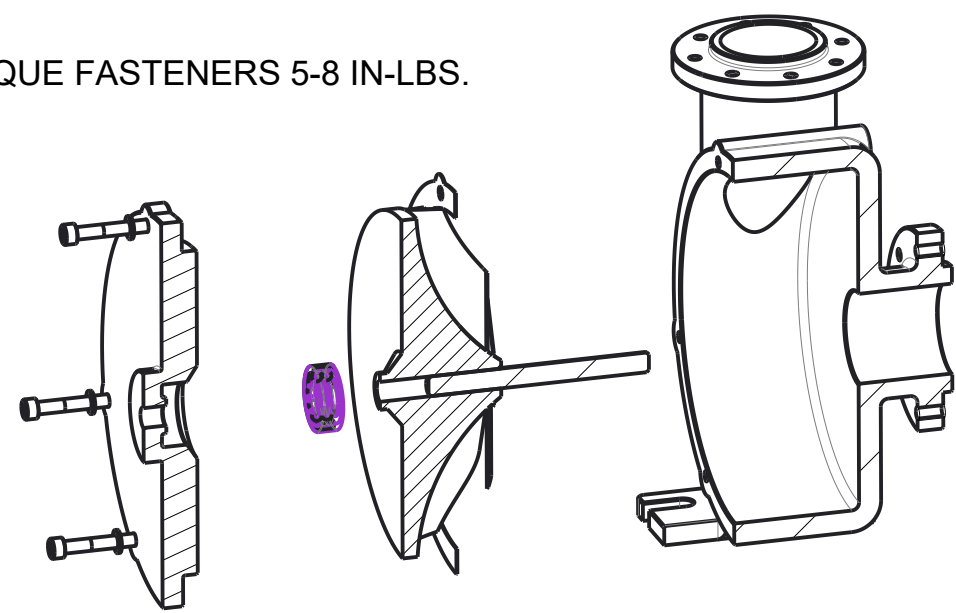
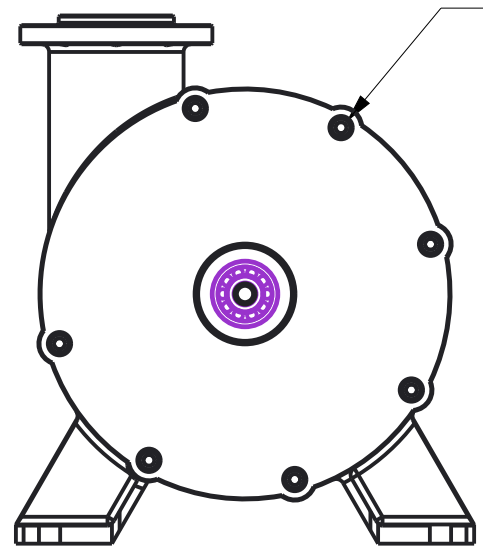
DESCRIPTION

NUMBER REVISION

APPROVER NAME	APPROVER FUNCTION	DATE	SIGNATURE REQUIRED
			SIGN HERE
			SIGN HERE
			SIGN HERE
			SIGN HERE



7X APPLY GREASE AND TORQUE FASTENERS 5-8 IN-LBS.



PUMP COVER
PART NO: 134019

REVISION: B
REVISION DATE: 09-18-2016
REVISION HISTORY: INITIAL RELEASE

LICENSE AND ROYALTY FREE TECHSOFT 2016
UNCLASSIFIED

NOTES:

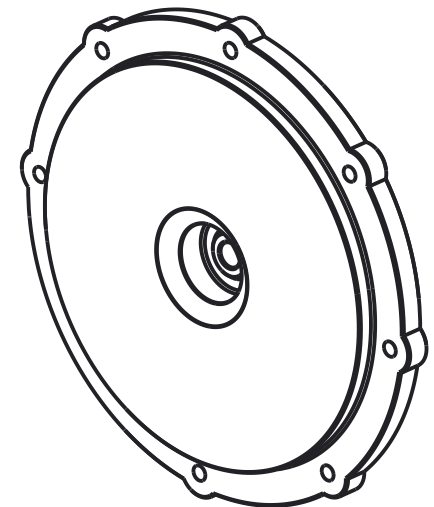
1. INTERPET IN ACCORDANCE WITH ASME Y14.5-2009, ASME Y14.41-2012 AND ASME Y14.100-2013.
2. DESIGN MODEL 134019.PRT or 134019.STEP IS REQUIRED TO COMPLETE PRODUCT DEFINITION.
3. UNLESS OTHERWISE SPECIFIED, DIMENSIONS ARE IN INCHES.
4. SCALE AND SIZE ARE NOT APPLICABLE.
5. ALL DIMENSIONS OBTAINED FROM THE MODEL ARE BASIC UNLESS OTHERWISE SPECIFIED.
6. TOLERANCES FOR ALL UNTOLERANCED SURFACES = $\sqrt{.020} A$ $\text{M} | B$ AND INSPECTION IS NOT REQUIRED.
7. PRODUCT CHARACTERISTICS (PC) SHALL BE VALIDATED PER AS9102B AND QIF 2.1 AND ARE IDENTIFIED AS: [PC-###].
8. ALL BOTTOM FILLETS ARE MAX R 0.031.
9. UNLESS OTHERWISE SPECIFIED, MAXIMUM SURFACE ROUGHNESS FOR ALL MACHINED SURFACES SHALL BE 125 MICROINCHES.
10. FULL ANNOTATIONS PRESENTED (A3). THIS DATA SET IS PRESENTED FOR HUMAN READABILITY.

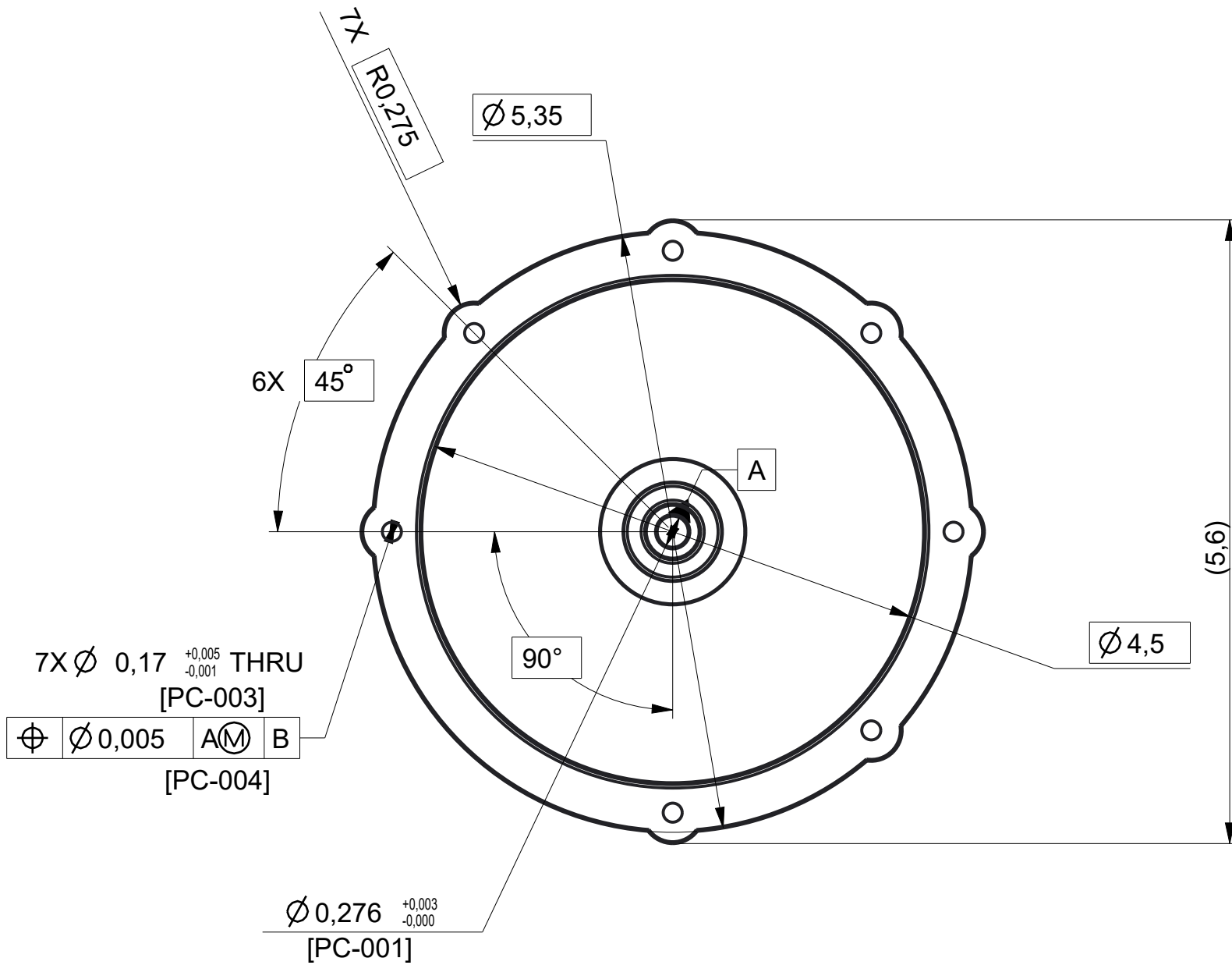
MATERIAL: NYLON
MASS: 0,410 LBF
MATURITY CODE: M3-PRODUCTION
ANNOTATION & ATTRIBUTE CODE: A3-FULL
GEOMETRY CODE: G3-FULL

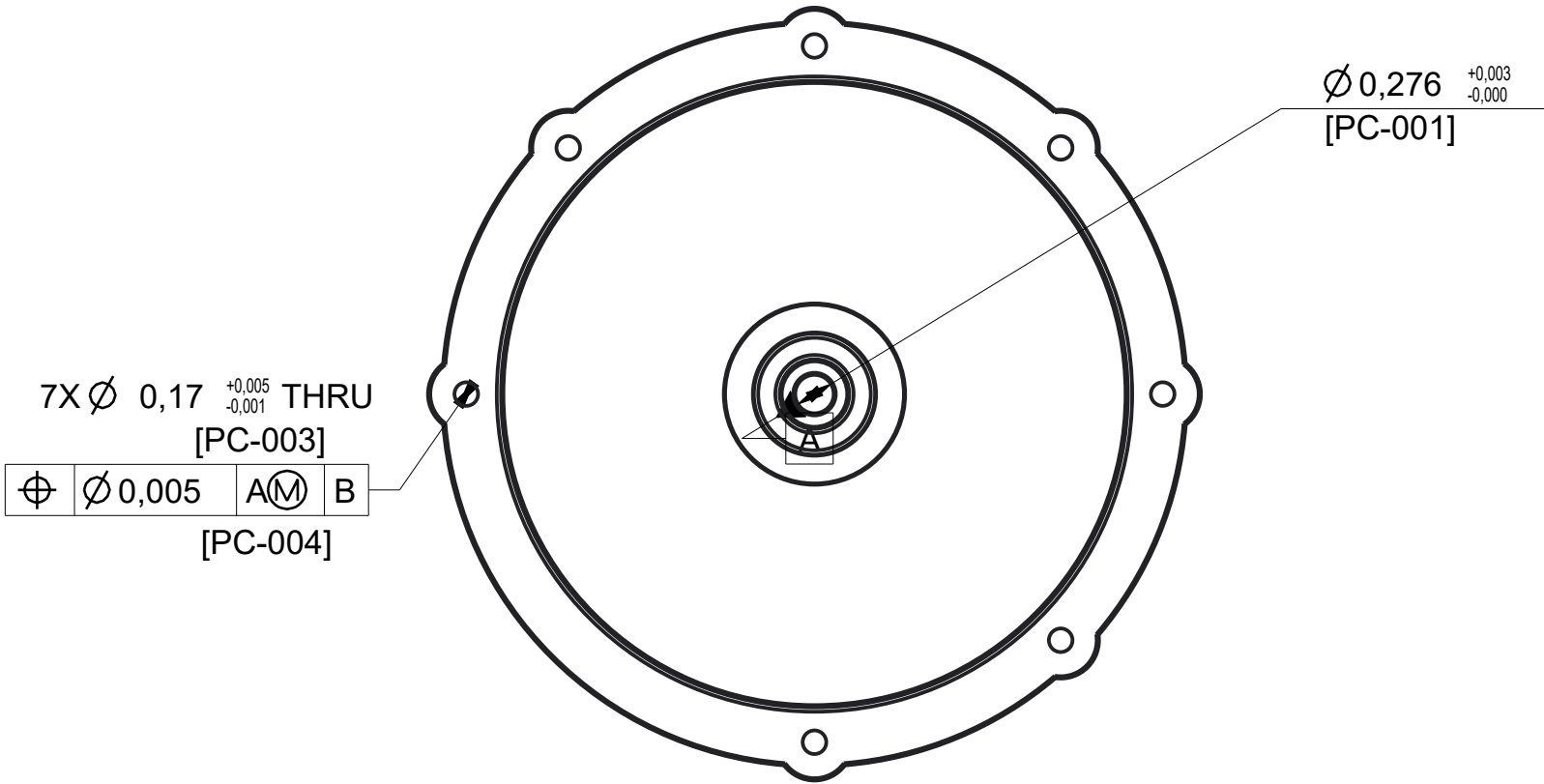
ORIGINAL DESIGN ACTIVITY: Action Engineering, LLC

RELEASE APPROVAL
C.HAMILTON 09-14-2016

APPROVALS
FUNCTION NAME DATE
DESIGN J.HERRON 08-16-2016
CHECKER R.ASTHEIMER 08-20-2016
RESPONSIBLE ENGINEERING J.HAMILTON 08-24-2016
MANUFACTURING B.SMITH 08-30-2016







$\varnothing 0,276$ $\begin{matrix} +0,003 \\ -0,000 \end{matrix}$
[PC-001]

7X $\varnothing 0,17$ $\begin{matrix} +0,005 \\ -0,001 \end{matrix}$ THRU
[PC-003]

\varnothing	$\varnothing 0,005$	A(M)	B
---------------	---------------------	------	---

[PC-004]

SCALE 0,750

